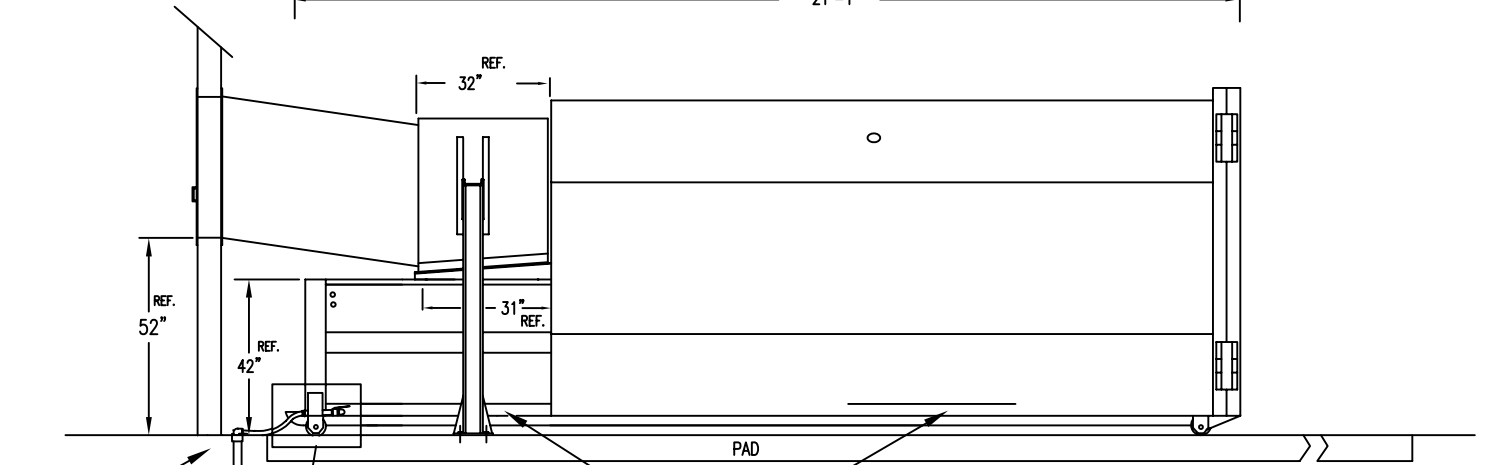
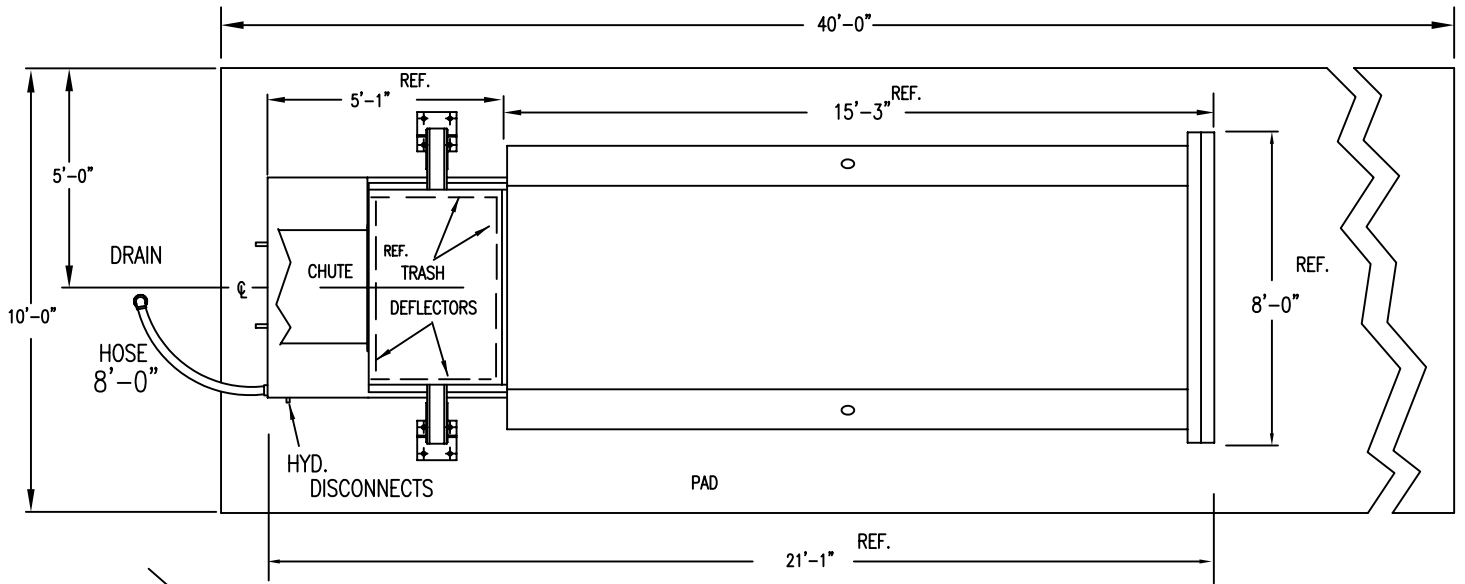
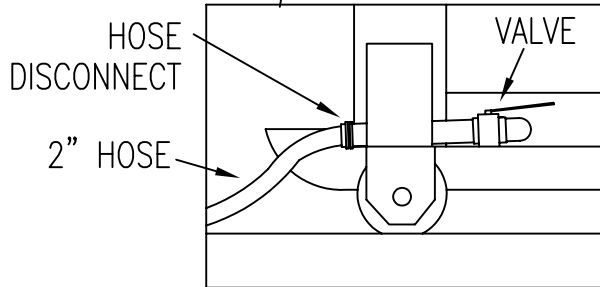


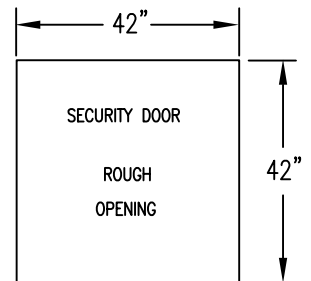
# PTR BALER & COMPACTOR



90° HOSE TO DRAIN FITTING CONNECTION



SUMP AREA 450 Gal.



NOTE :  
SUMP FITTING FOR VALVE  
ON BOTH SIDES OF COMPACTOR  
BODY TO ALLOW FIELD SWITCHING  
OF VALVE HOSE SETUP

OPTIONS SHOWN :

1. SUMP DRAIN SYSTEM
2. PT-230 ( LOW FEED )
5. REAR FEED CHUTE DOGHOUSE ( EXAMPLE )
6. TRASH DEFLECTORS

PAD = 3000 CONCRETE 6" THICK WITH MIN. 12 GAUGE SCREEN REINFORCEMENT

8/5/02